

1:25  
SCALE

# PC-9 M MODEL BUILDING PLAN

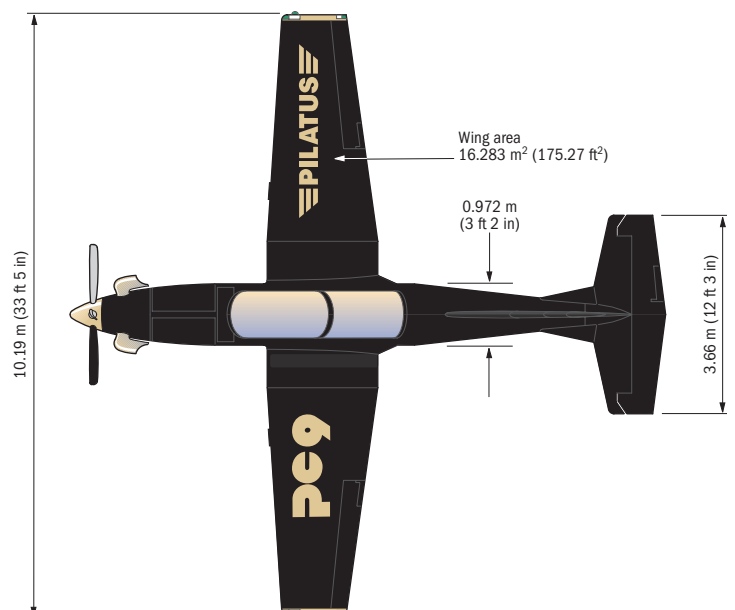
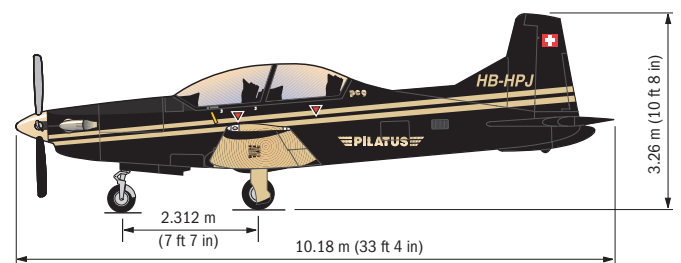
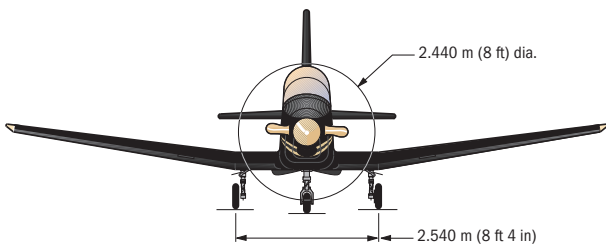
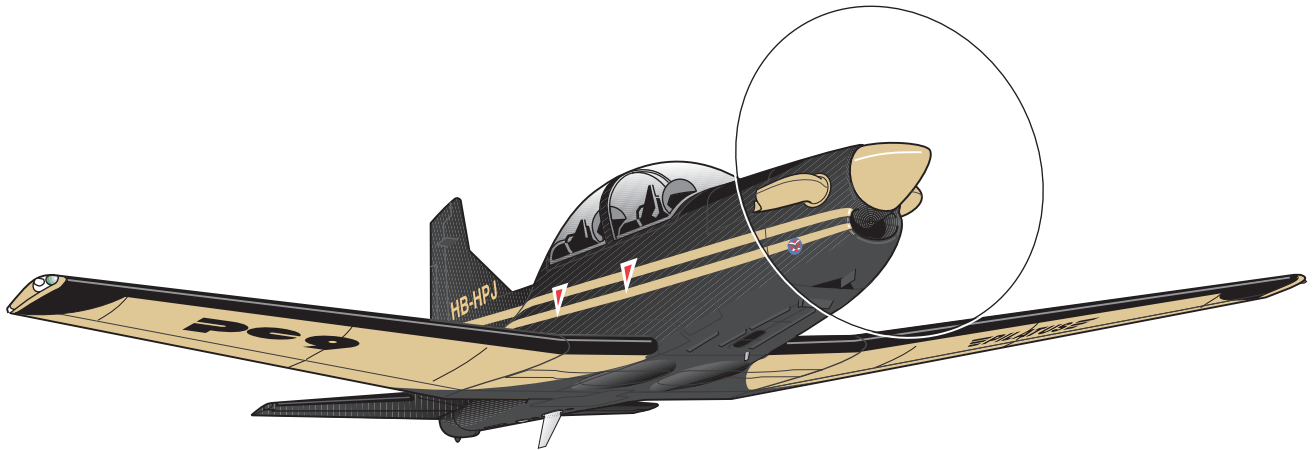


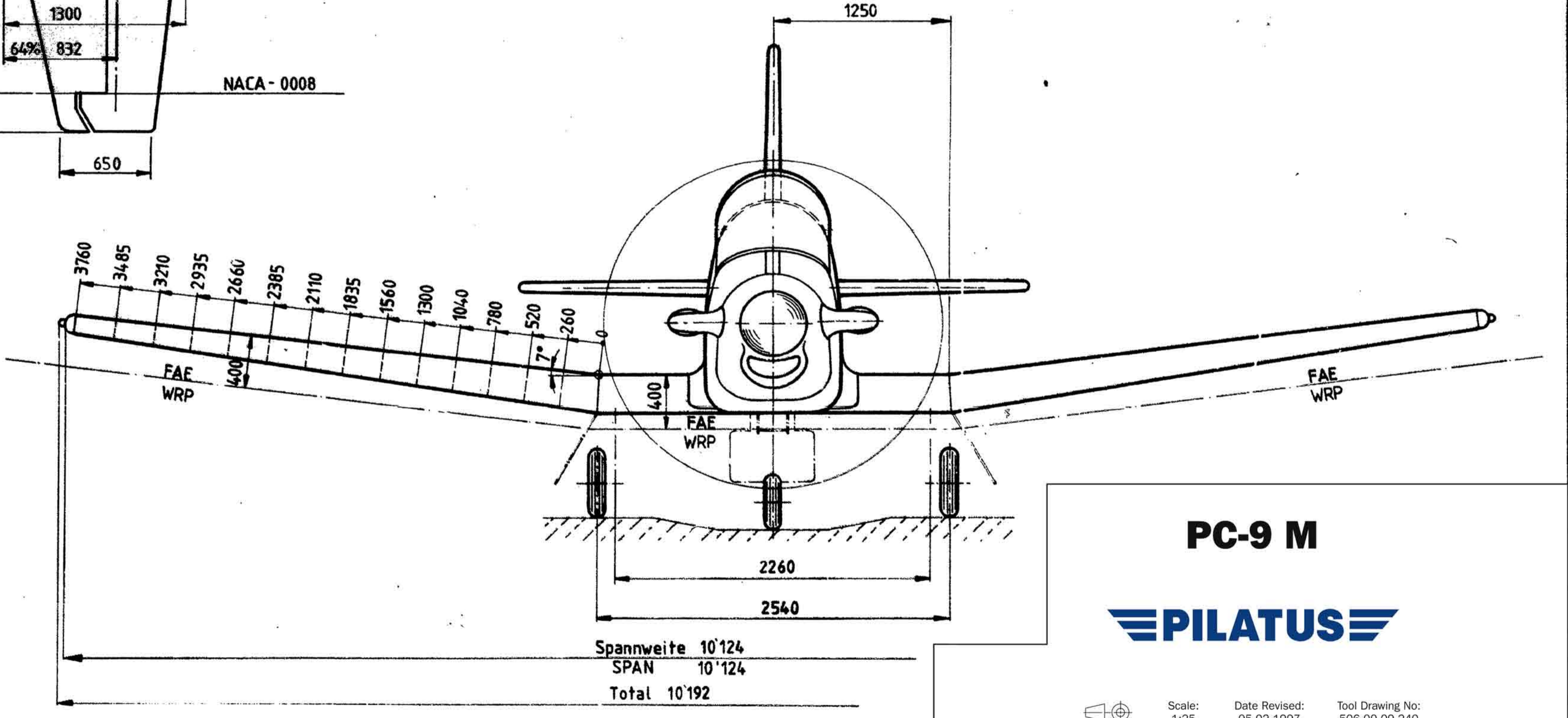
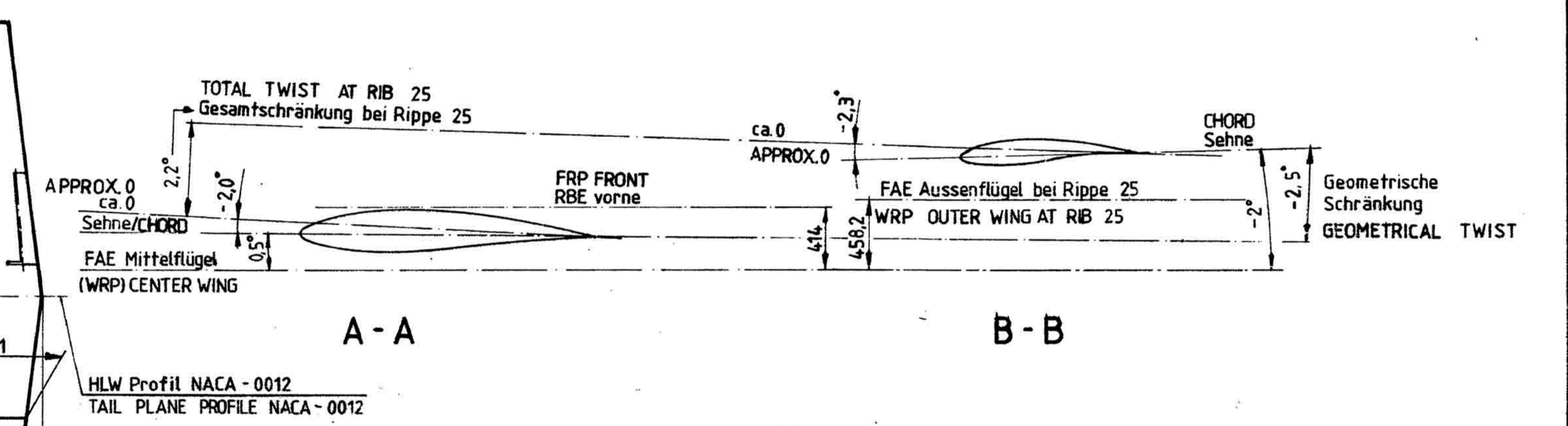
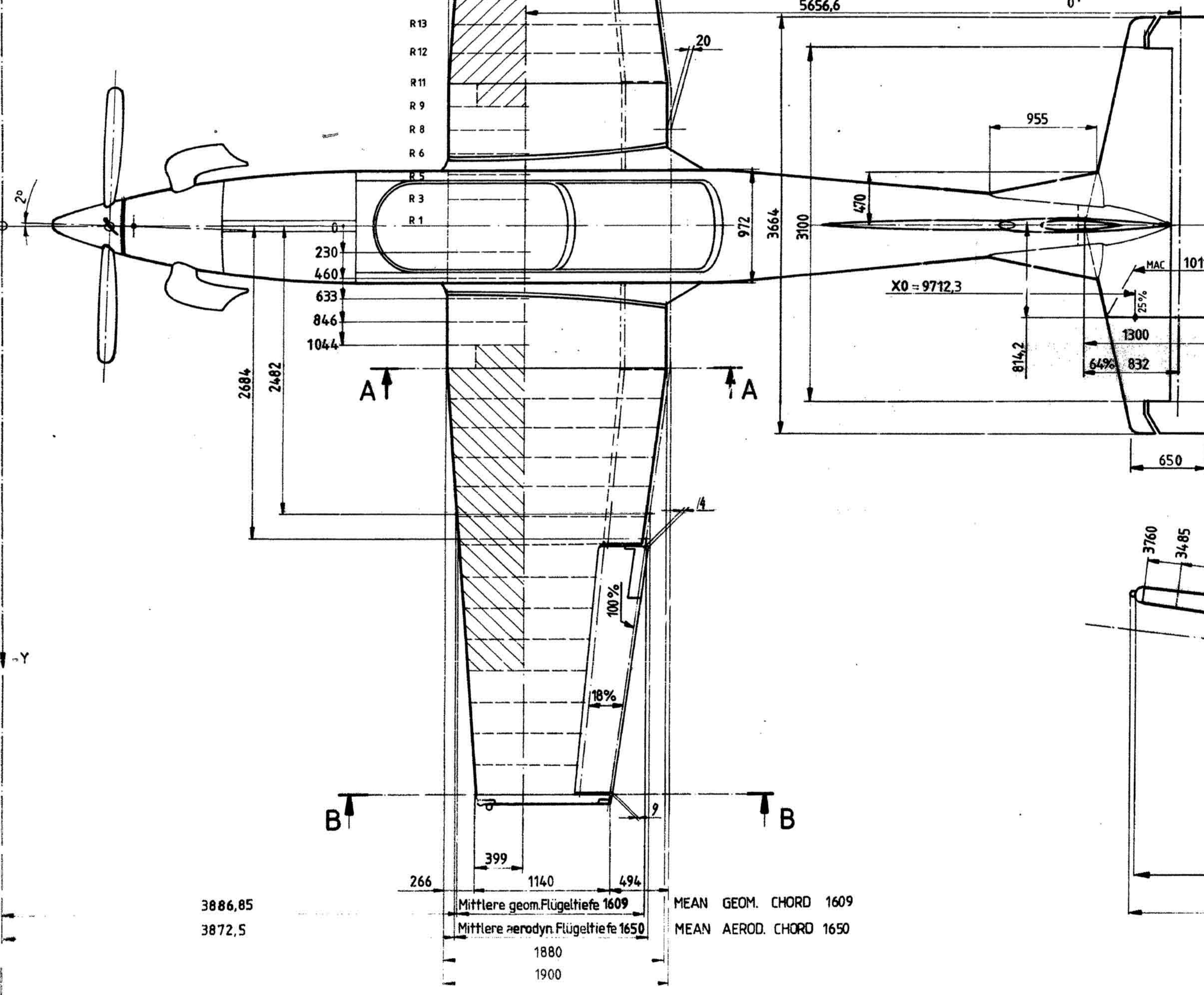
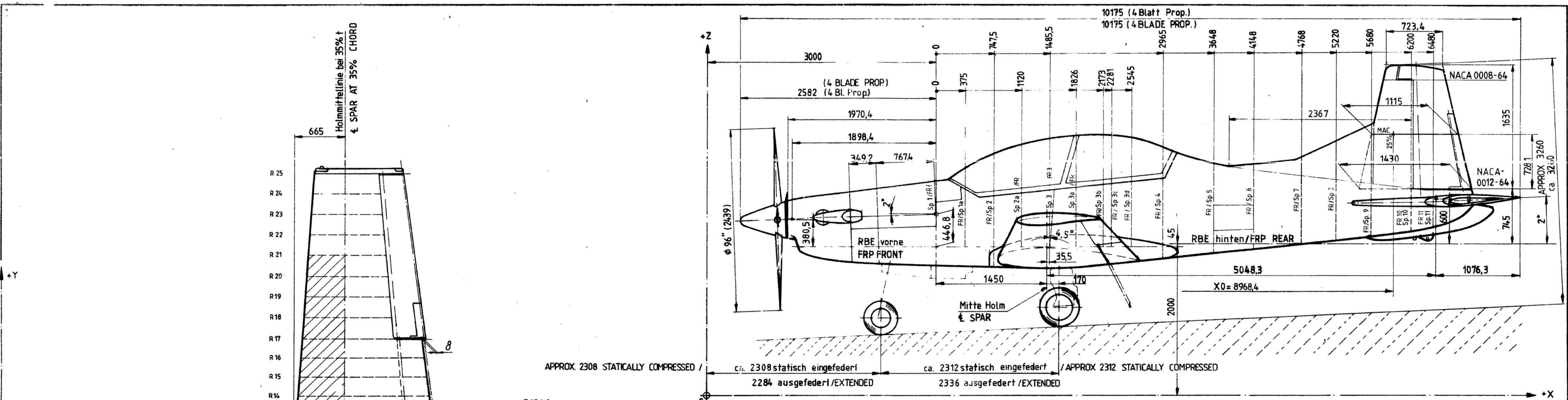
 **PILATUS** 

# PC-9 M MODEL BUILDING PLAN

Since its launch in 1986, the PC-9 has established itself as a leader among turboprop trainers, offering superior training value for air forces around the world. Noted for its aerodynamic yet stable handling qualities, it has all the right attributes to develop the skills of student pilots from ab initio through basic training, and with sufficient power for the more demanding advanced phases of training.

Recent upgrades to the PC-9 M include large primary and secondary flight displays to transform the aircraft into a true glass-cockpit trainer. With this modern cockpit environment, high performance, and agile handling, the PC-9 M is an ideal training platform for the wide range of training syllabi in use today.





**PC-9 M**

**PILATUS**

Scale: 1:25 Date Revised: 05.02.1997 Tool Drawing No: 506.00.09.240

This drawing shall only be used for model aircraft.  
Copyright Pilatus Aircraft Ltd.  
All rights reserved.  
www.pilatus-aircraft.com

3886,85  
3872,5