

1:15
SCALE

PC-6 MODEL BUILDING PLAN



 **PILATUS** 

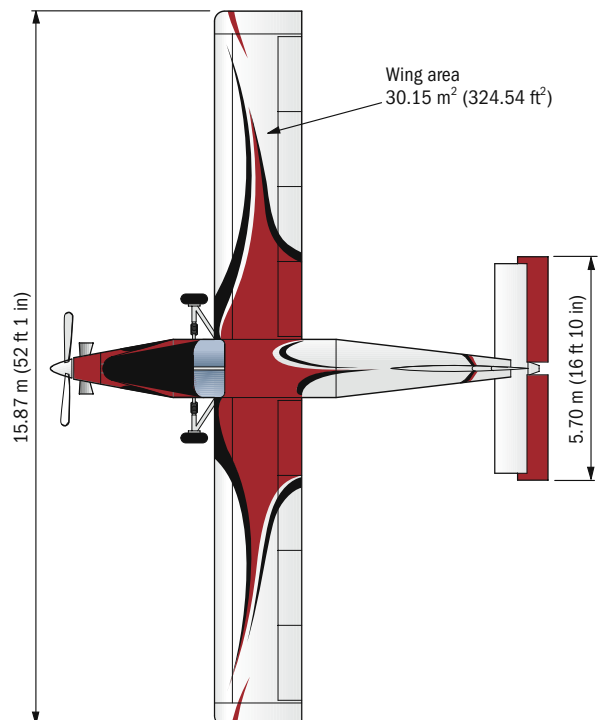
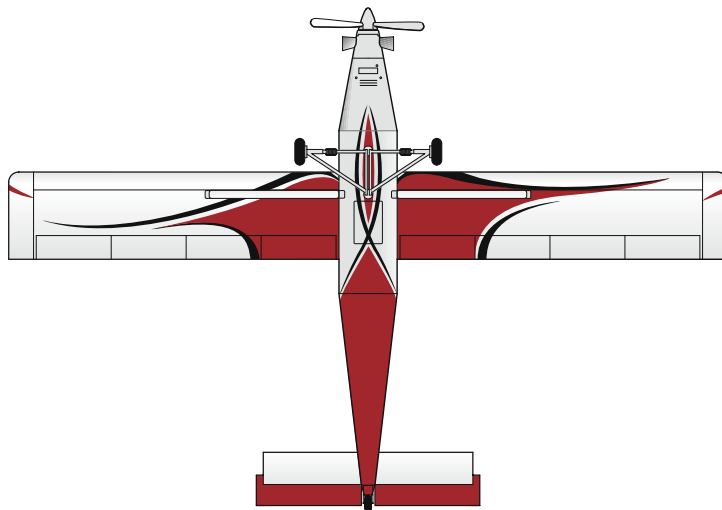
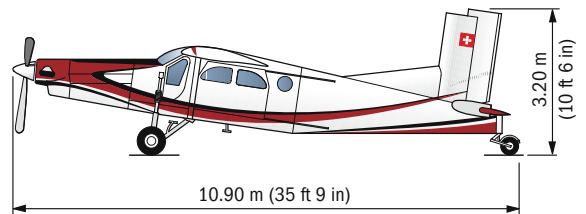
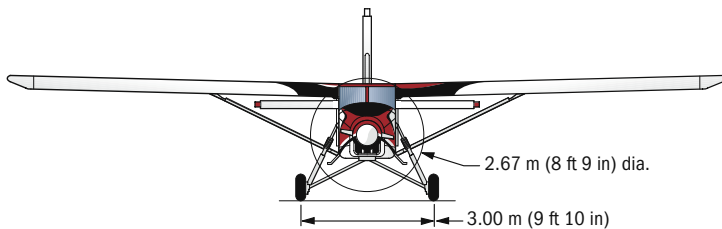
PC-6 MODEL BUILDING PLAN

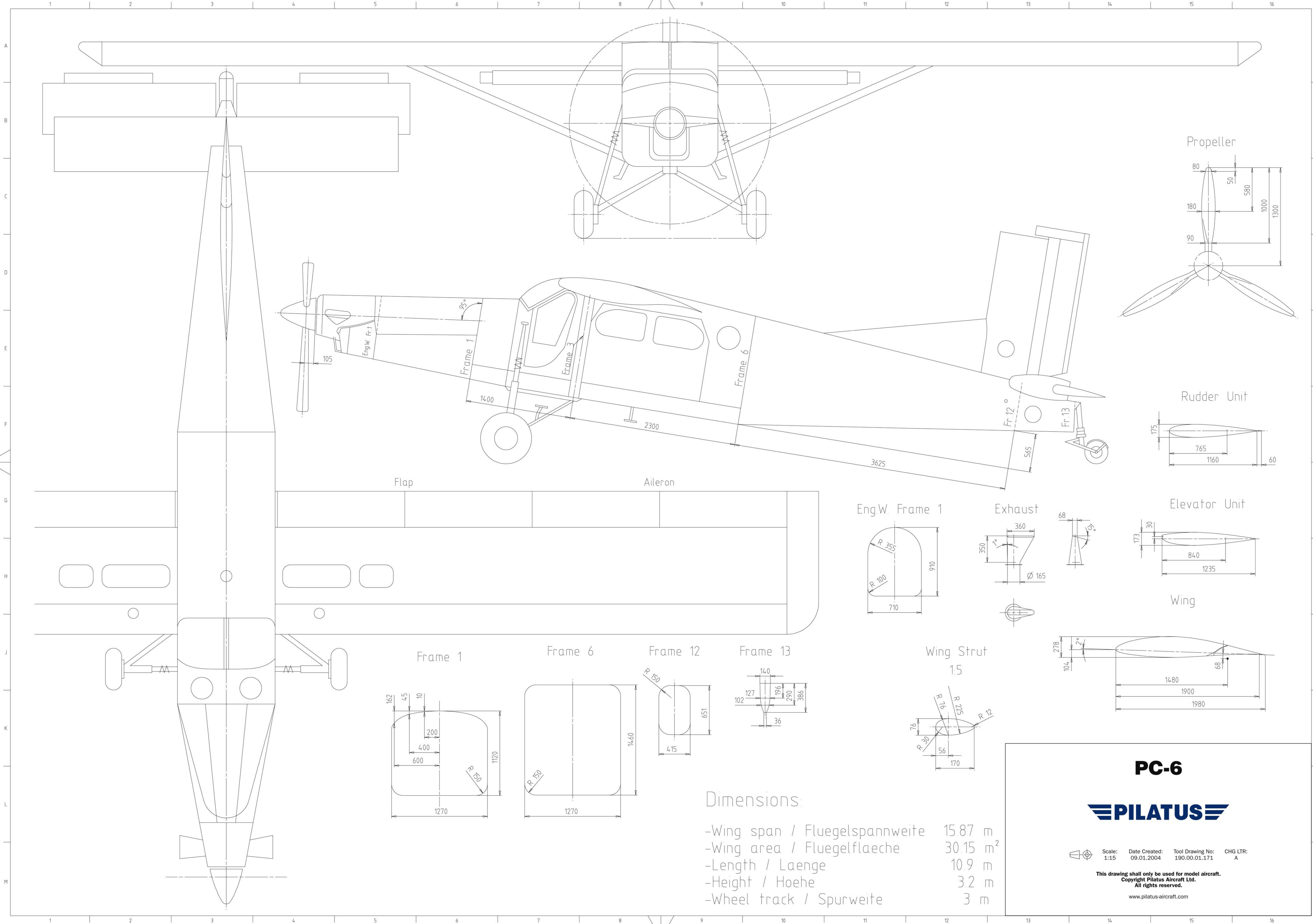
The Pilatus PC-6 Turbo Porter has become a legendary aircraft, known around the world simply as „the Porter“.

Its unique short take-off and landing (STOL) capabilities, reliability and versatility in all weather and terrain conditions have established the reputation of the PC-6 as a rugged utility aircraft.

The Porter is fully capable of operating from different types of unprepared, rough and short airstrips, in remote areas, at high altitudes and in all climates.

A simple but solid construction, proven systems and features, combined with precision workmanship result in the highest reliability and lowest maintenance possible. No matter whether high and hot or low and snow - anywhere, anytime you can rely on the Porter as a high quality, life-long investment.





Dimensions:

-Wing span / Fluegelspanweite	15.87 m
-Wing area / Fluegelflaeche	30.15 m ²
-Length / Laenge	10.9 m
-Height / Hoehe	3.2 m
-Wheel track / Spurweite	3 m

PC-6

PILATUS

Scale: 1:15 Date Created: 09.01.2004 Tool Drawing No: 190.00.01.171 CHG LTR: A

This drawing shall only be used for model aircraft.
Copyright Pilatus Aircraft Ltd.
All rights reserved.
www.pilatus-aircraft.com